

1. Finish Goods PKG photo



2. Packing method

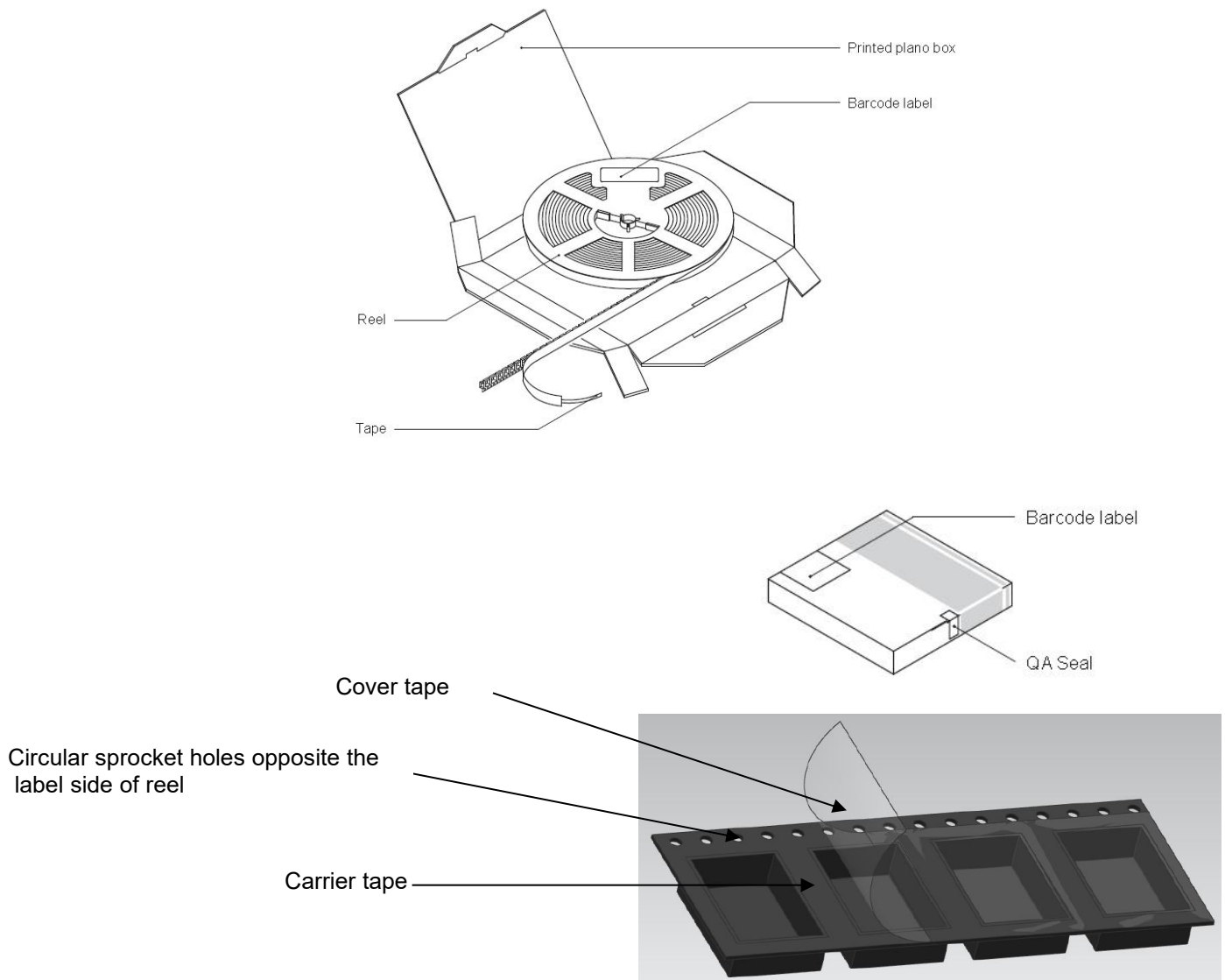


Fig.1- Reel pack for TO-263-7

# TO-263-7 Packing information

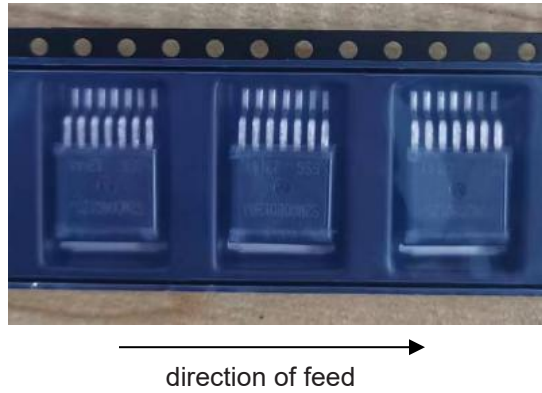
B152, Rev. -

**Table 1. Packing information**

| Package version | Reel dimensions $\phi \times H$ (mm) | Per Reel (pcs) | Inner box weight (Kg) | Reels per box | Inner box dimensions L×W×H (mm) | Outer box (pcs) | Outer box dimensions L×W×H (mm) | Outer box weight (Kg) |
|-----------------|--------------------------------------|----------------|-----------------------|---------------|---------------------------------|-----------------|---------------------------------|-----------------------|
| TO-263-7        | $\Phi 330 \times 30.4$               | 800            | 1.71                  | 1             | 340×336×36                      | 8000            | 400×353×365                     | 18.2                  |

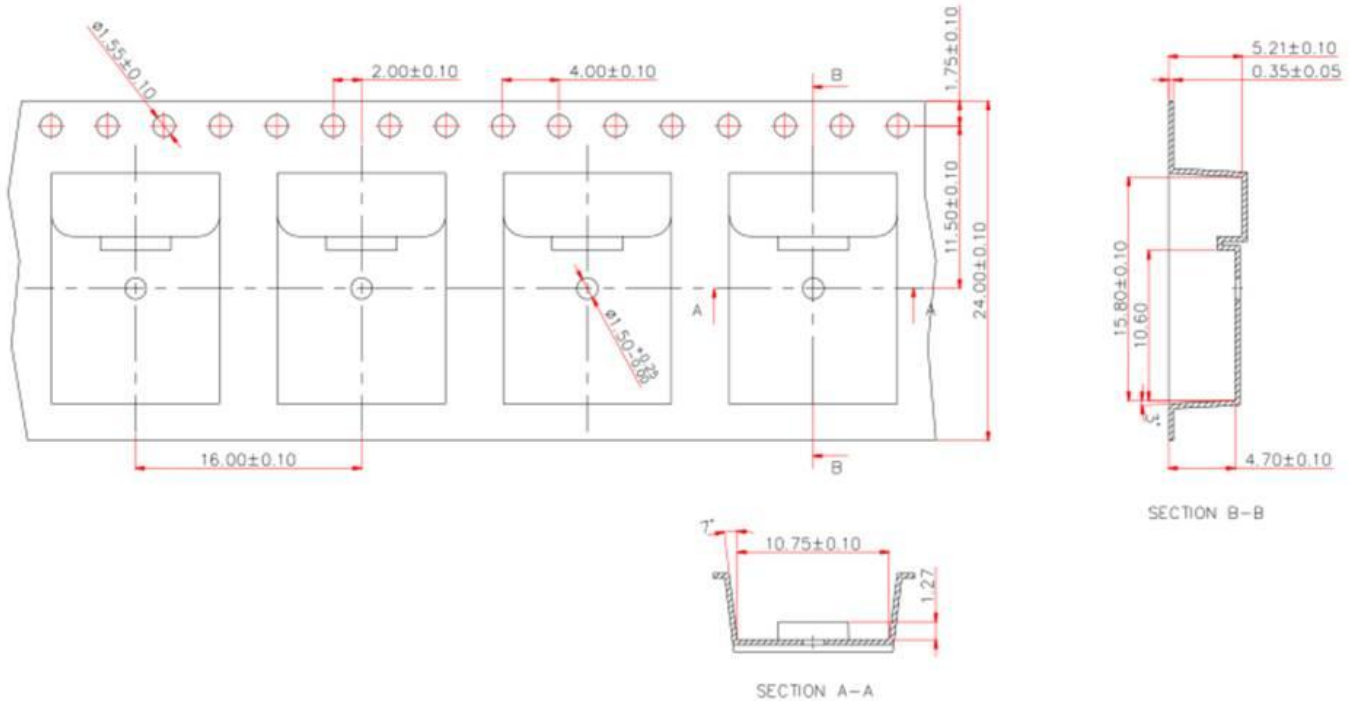
### 3. Product orientation

Standard product orientation TO-263-7



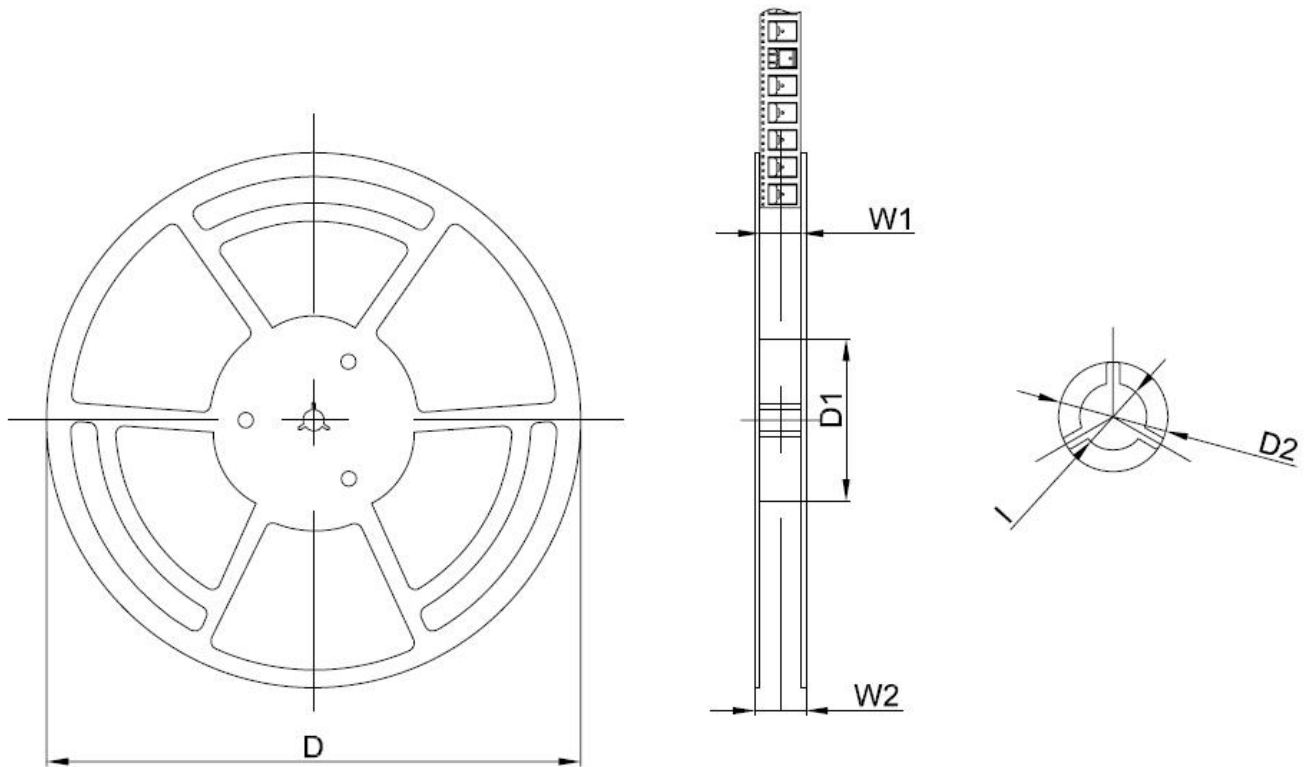
**Fig 2. Product orientation in carrier tape**

### 4. Carrier tape dimensions



**Fig 3. Carrier tape dimensions**

5. Reel dimensions



| Dimensions are in millimeter |         |        |        |      |      |        |
|------------------------------|---------|--------|--------|------|------|--------|
| Reel Option                  | D       | D1     | D2     | W1   | W2   | l      |
| 13"Dia                       | Ø330.00 | 100.00 | Ø21.00 | 24.4 | 30.4 | Ø13.00 |
| Tolerance                    | +/-2    | +/-1   | +/-1   | +/-1 | +/-1 | +/-1   |

Fig 4. Reel dimensions